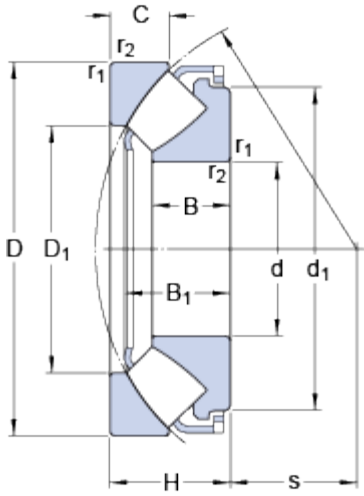


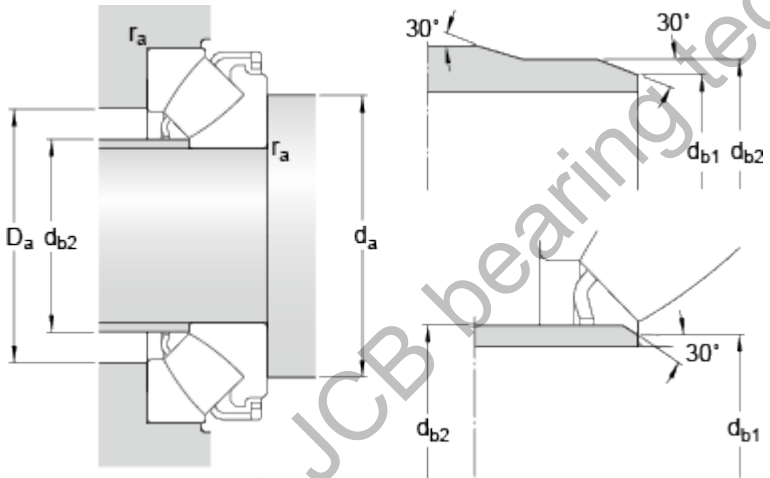
# 29336-YA8

## Dimensions



d	180	mm
D	300	mm
H	73	mm
d <sub>1</sub>	≈ 270	mm
D <sub>1</sub>	≈ 227	mm
B	46	mm
B <sub>1</sub>	66.2	mm
C	35.5	mm
s	103	mm
r <sub>1,2</sub>	min. 3	mm

## Abutment dimensions



d <sub>a</sub>	min. 235	mm
d <sub>b1</sub>	max. 189	mm
d <sub>b2</sub>	max. 195	mm
D <sub>a</sub>	max. 262	mm
r <sub>a</sub>	max. 2.5	mm

## Calculation data

Basic dynamic load rating	C	1430	kN
Basic static load rating	C <sub>0</sub>	4300	kN
Fatigue load limit	P <sub>u</sub>	440	kN
Reference speed		1200	r/min
Limiting speed		2000	r/min
Minimum axial load factor	A	1.8	

## Mass

Mass bearing	19.5	kg
--------------	------	----